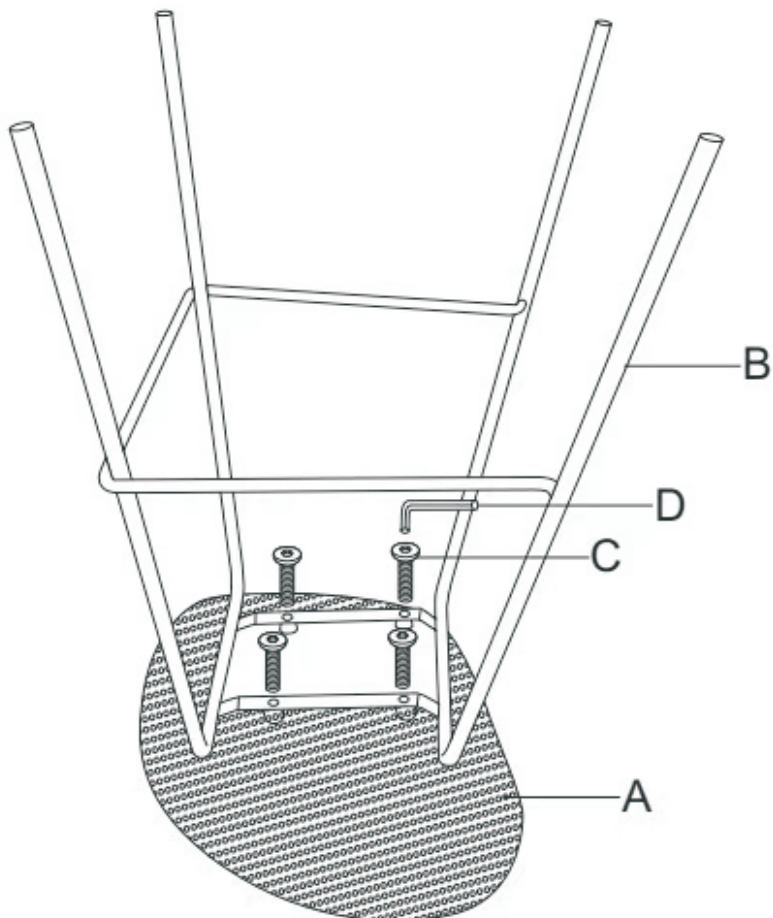
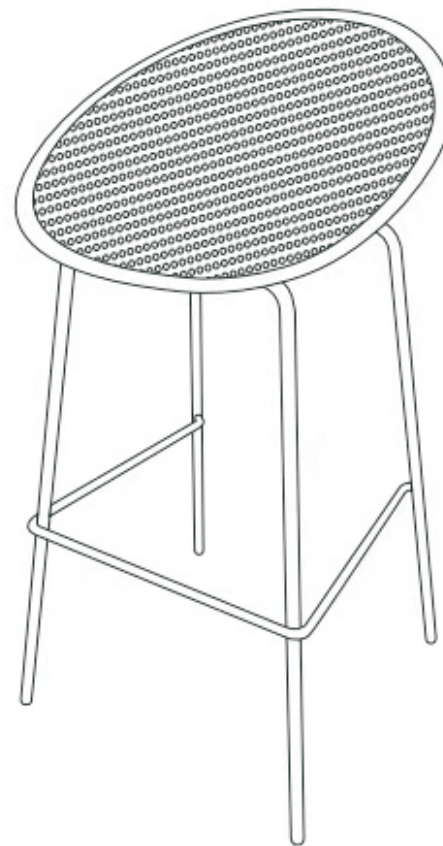


ASSEMBLY INSTRUCTION

1



2



Ax1



Bx1



Cx4



M6x12mm

Dx1



M5